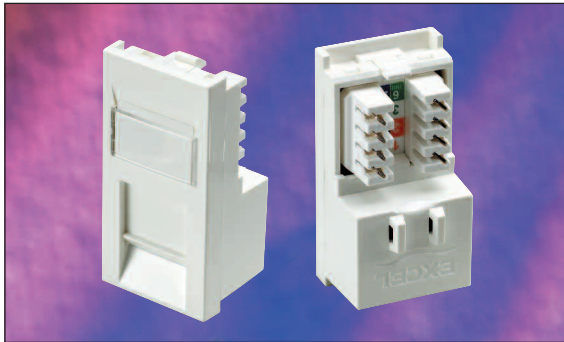


Excel Category 6 Unshielded Twisted Pair (UTP) Module - Low Profile



25 Year System Warranty

Supports Gigabit Ethernet

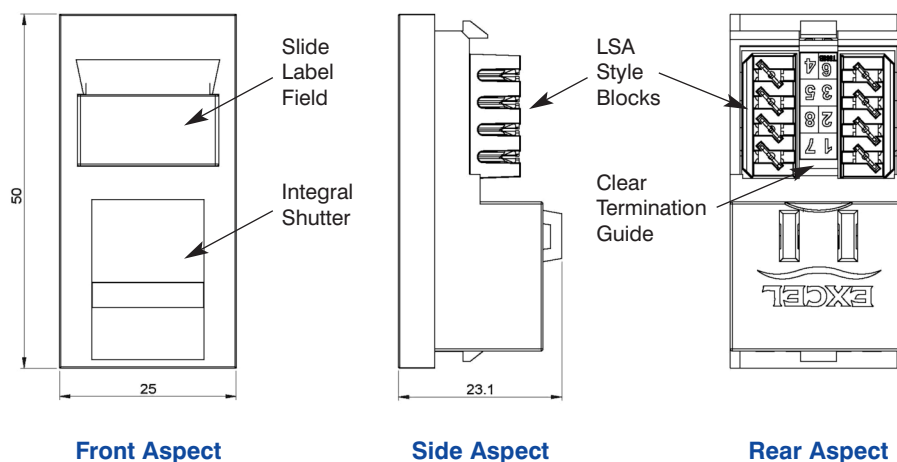
Choice of Colours

Features

- Category 6 compliant
- One Piece, Snap-in Design
- Built in Slide Label System
- Low Profile Design
- LSA Style Termination Blocks
- 25 Year System Warranty
- Available in white and black

Product Overview

Excel Category 6 Low Profile RJ45 modules comply with the standards for Category 6 performance as defined by the ISO and EIA/TIA standards bodies. Each shuttered module is supplied with a slide label field and space above, this is allowed for use of self adhesive or further labelling if required. Termination can be made using LSA compatible tooling. The low profile design makes this module ideal for installations in floor box environments or shallow dado trunking.



Performance Overview

Excel Category 6 low profile modules are manufactured and tested to the current Category 6 enhanced standards as defined by the EIA/TIA and ISO standards' bodies. Swept frequency tests are applied to each critical performance characteristic, such as near end cross talk (NEXT) and far end cross talk (FEXT). Both Worst Case and Power Sum Test methods are applied. Actual performance exceeds the required standard by a considerable margin ensuring sufficient headroom for even the most demanding applications.

Performance / Specification Table

Specification	Category 6 ISO/IEC 11801 Class E, TIA/EIA 568B
Wiring Specification	TIA 258A/568B
Dimensions	25mm wide x 21.05mm deep x 50mm high
Installation Recommendation	Suits minimum of 15mm Back Boxes when installed with Bevelled Faceplate
RJ45 Jack	Min life 700 insertions
RJ45 Jack	50 Micron Gold Plated contact pins
IDC Contacts	Suitable for LSA compatible tooling
IDC Contacts	Maximum 100 reterminations
NEXT at 250MHz	Category 6 39.10db @250MHz (Power Sum)
FEXT at 250MHz	Category 6 27.00db @250MHz (Power Sum)

System Warranty

When installed with Excel Patch Panels and cables by an accredited Excel Cabling Partner, this product is supported by a comprehensive 25 year product and applications warranty.

Typical Applications

- 10 Base-T
- 100 Base-TX
- Token Ring
- 1000 Base TX Gigabit Ethernet
- 155 Mbps ATM
- 622 Mbps ATM

Part Number Information

Part No.	Description
100-366	Excel Category 6 RJ45 White Low Profile Module
100-366-BK	Excel Category 6 RJ45 Black Low Profile Module