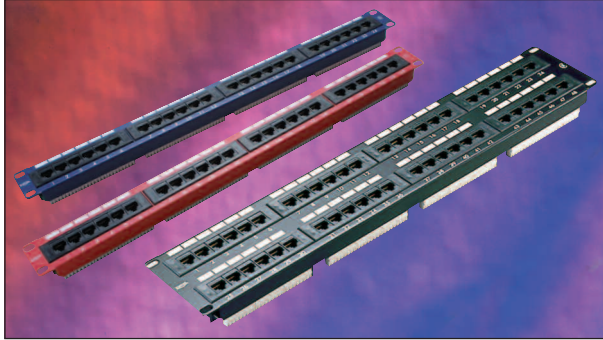


## Excel Category 5e Unshielded Twisted Pair (UTP) Patch Panels



25 Year System Warranty

Supports Gigabit Ethernet

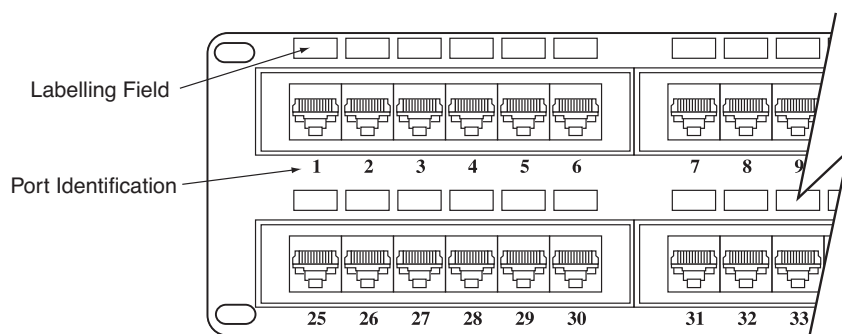
Choice of Colours

### Features

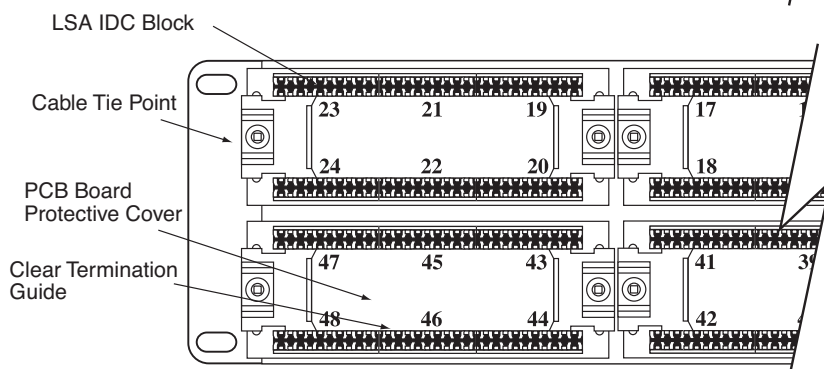
- Category 5e compliant
- Power Sum Compliant
- Choice of Port Density
- Choice of Labelling System
- Choice of Colour
- LSA Style Termination Blocks
- 25 Year System Warranty
- Pre Printed 1-96 Self Adhesive Labelling included
- BSRIA Number 1 private label, by market share for the last three years

### Product Overview

Excel Category 5e Patch Panels comply with the current standards for enhanced Category 5. Each panel offers a choice of labelling with the option to use the screen printed fields on the panel facia or the slide label system or pre printed 1-96 labelling scheme which is enclosed with each panel. Ease of installation is assured with ample rear cable management positions and LSA IDC blocks. A choice of port density – either 16 or 24 ports per 1u of rack space – is available to suit all applications. Each panel is available in a choice of colours to allow identification of either applications, departments or services. Cage nuts and mini cable ties are included with each panel.



Front Aspect



Rear Aspect

## Performance Overview

Excel Category 5e Patch Panels are manufactured to and tested to the current Category 5 enhanced standards as defined by the EIA/TIA and ISO standards' bodies. Swept frequency tests are applied to each critical performance characteristic, such as near end cross talk (NEXT) and far end cross talk (FEXT). Both Worst Case and Power Sum Test methods are applied. Actual performance exceeds the required standard by a considerable margin ensuring sufficient headroom for even the most demanding applications.

## Performance / Specification Table

Specification	Category 5e ISO Class D 1999, EIA/TIA 568A
Wiring Specification	EIA 258A/568B
Port Density	16 Ports or 24Ports Per 1u
Dimensions	480mm wide x 33mm deep x 44mm (1u) or 88mm (2u) or 132mm (3u) high
RJ45 Jack	Min life 700 insertions
RJ45 Jack	50 Micron Gold Plated contact pins
IDC Contacts	Suitable for LSA compatible tooling
NEXT at 100MHz	Category 5e Specification 43dB @100MHz (Worst Pair)
FEXT at 100MHz	Category 5e Specification 35dB @100MHz (Worst Pair)

## System Warranty

When installed with Excel Cables and Data Outlets by an accredited Excel Cabling Partner, this product is supported by a comprehensive 25 year product and applications warranty.

## Typical Applications

- 10 Base-T
- 100 Base-TX
- Token Ring
- 1000 Base T Gigabit Ethernet
- 155 Mbps ATM
- 622 Mbps ATM

## Part Number Information

Part No.	Description
100-720	Excel 16 Port 1u Black Patch Panel
100-724	Excel 48 Port 3u Black Patch Panel
100-726	Excel 24 Port 1u Black Patch Panel
100-728	Excel 48 Port 2u Black Patch Panel
100-450	Excel 24 Port 1u Blue Patch Panel
100-451	Excel 24 Port 1u Red Patch Panel
100-452	Excel 24 Port 1u Green Patch Panel
100-453	Excel 48 Port 2u Blue Patch Panel
100-454	Excel 48 Port 2u Red Patch Panel
100-455	Excel 48 Port 2u Green Patch Panel