

EXCEL

Excel Floor Standing Cabinets – 600 Series



Range of heights – 12u through to 47u

Range of depths – 600, 800, 1000mm

Aesthetically pleasing

Load carrying capacity 400kg

Features

- Available in 8 heights, 12u, 15u, 18u, 22u, 27u, 39u, 42u, 47u
- Choice of depths in most sizes, 600mm, 800mm, 1000mm
- Aesthetically pleasing framed safety glass front door
- Quick release doors and side panel
- Swing lock handle on front door
- 1u height marking on 19" mounting profiles
- Adjustable front and rear 19" mounting profiles
- Horizontal strength supporting bars (a cable tray can be fixed to these)
- Open base for maximum cable access
- Load carrying capacity 400KG
- Available assembled or flat pack

Product Overview

The Excel 600 series is a range of 19" free standing cabinets designed for installation of both cabling and networking equipment. They are ideal for use across a range of applications including local area networking (LAN) cabling and hardware, plus the housing of security and AV equipment.

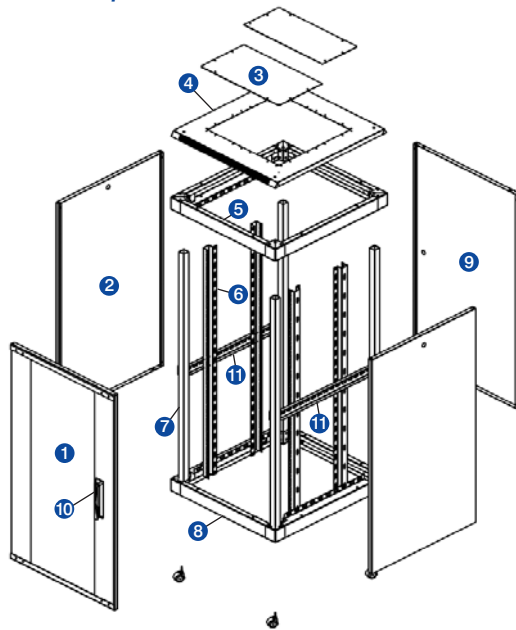
Each cabinet is designed with strength, ease of use and aesthetics in mind. Features such as incremental 1U marking on the mounting profiles, quick release doors and side panels, fully horizontally adjustable front and rear profiles and full access through the base of the cabinet make the product extremely flexible.

The aesthetically pleasing design is completed with the use of a framed smoked safety glass front door fitted with a swing handle lock. Door hinging can be quickly and easily reversed left to right. The 600 series is available in 8 heights from 12u through to 47u. In certain sizes a choice of 600, 800 and 1000mm depth options are available. Each cabinet is supplied as standard with lockable glass front door, metal rear door and lift off metal side panels. Two sets of steel adjustable 19" mounting profiles are fitted, and the roof can be fitted with fan trays and cable entry brush strips. To minimize the weight and size of the removable side panel the 800 and 1000mm deep cabinets are designed with a two piece side panel. The removable side panel is 595mm deep.

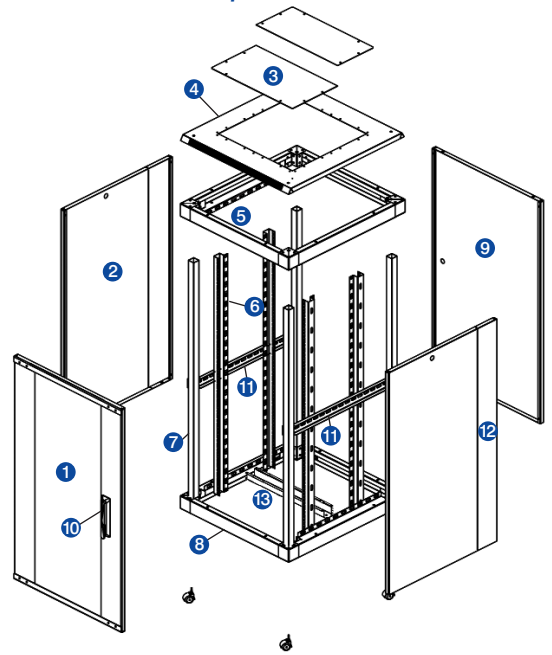
A full range of Excel accessories are available to complete cable or equipment installation from cable tray, plinth kits and shelving through to ventilation and power distribution units.

Exploded Views

600mm deep



800mm & 1000mm deep



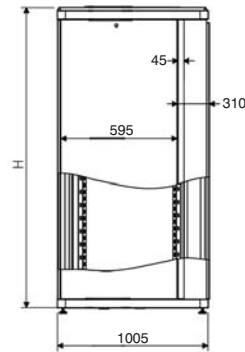
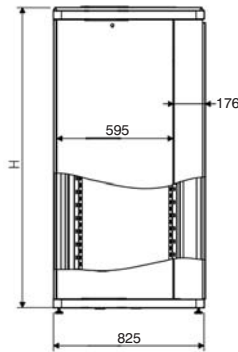
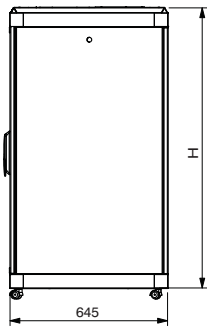
Sectional Views

Side View

600mm deep

800mm deep

1000mm deep



- ① Front door
- ② Side panel
- ③ Roof panel, removable entry plates
- ④ Roof panel
- ⑤ Upper frame
- ⑥ Mounting profile
- ⑦ Corner post
- ⑧ Lower frame
- ⑨ Rear door
- ⑩ Swing lock handle
- ⑪ Horizontal strength supporting bars
- ⑫ Side infill panel
- ⑬ Strength cross member (1000mm deep only)

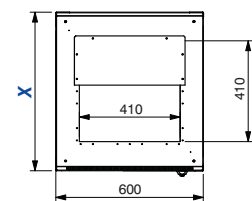
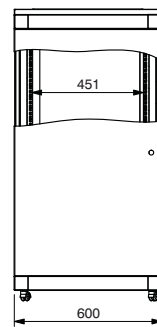
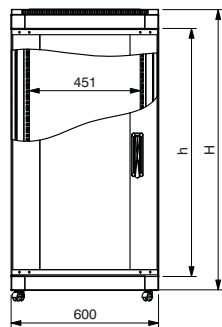
All dimensions are shown in mm

Front View

Rear View

Plan View

600mm, 800mm & 1000mm deep



- 600mm deep X = 645mm
- 800mm deep X = 825mm
- 1000mm deep X = 1005mm

Product Specification

Material Thickness

Cabinet Part	
Upper and lower case	1.50mm
Top cover and fan entry plate	1.20mm
19" mounting angles	2.00mm
Rear door and side panels	1.20mm
Side extension panel*	1.00mm
Front door frame	1.50mm
Front door glass	4.00mm

* 800mm & 1000mm deep versions only

Product Standard Compliance

Manufacturing facility	ISO 9001:2000
19" mounting angles	IEC297-1
Overall cabinet dimensions	IEC297-2
Load carrying capacity	400kg
Paint finish, grey cabinet	Ral 7035
Paint finish, front door blue trim	Ral 5013
Glass door, safety specification	BS3193:1993
Surface treatment	Fosfat Coating

Product Features



- Aesthetically pleasing design with framed Glass front door



- Open base for maximum cable access



- Swing handle lock

- Clearly identified u height



- Angled vented roof



- Lockable lift off side panels



- Adjustable 19" mounting profiles

Part Number Information

U Size	Width (mm)	Overall Height (mm)	Depth (mm)	Part Number - Assembled	Part Number - Flat Pack
600 Series					
12u	600	705	600	540-512	540-512-FP
15u	600	838	600	540-515	540-515-FP
18u	600	971	600	540-518	540-518-FP
22u	600	1149	600	540-195	540-195-FP
22u	600	1149	800	540-197	540-197-FP
27u	600	1326	600	540-200	540-200-FP
27u	600	1326	800	540-205	540-205-FP
27u	600	1326	1000	540-206	540-206-FP
39u	600	1904	600	540-210	540-210-FP
39u	600	1904	800	540-215	540-215-FP
39u	600	1904	1000	540-217	540-217-FP
42u	600	2038	600	540-220	540-220-FP
42u	600	2038	800	540-225	540-225-FP
42u	600	2038	1000	540-283	540-283-FP
47u	600	2260	600	540-230	540-230-FP
47u	600	2260	800	540-235	540-235-FP
47u	600	2260	1000	540-284	540-284-FP

Note: For overall height when using jacking feet please add 30mm
 For overall height when using castors please add 75mm
 For overall height when using plinth please add 100mm approximately

The Excel range of floor standing cabinets is also available in 800mm wide options. We also supply a broad range of wall mounted cabinets.