

# EXCEL

## Excel Wall Mounted Cabinets – 500 Series



Range of heights – 6u through to 21u

Quick release side panels for easy access

Choice of colour

### Features

- Available in 6 heights, 6u, 9u, 12u, 15u, 18u and 21u
- Choice of colour, Grey and Black
- Aesthetically pleasing framed safety glass front door
- Quick release doors and side panel
- Adjustable front and rear 19" mounting profiles
- Removable cable entry panel in top and base

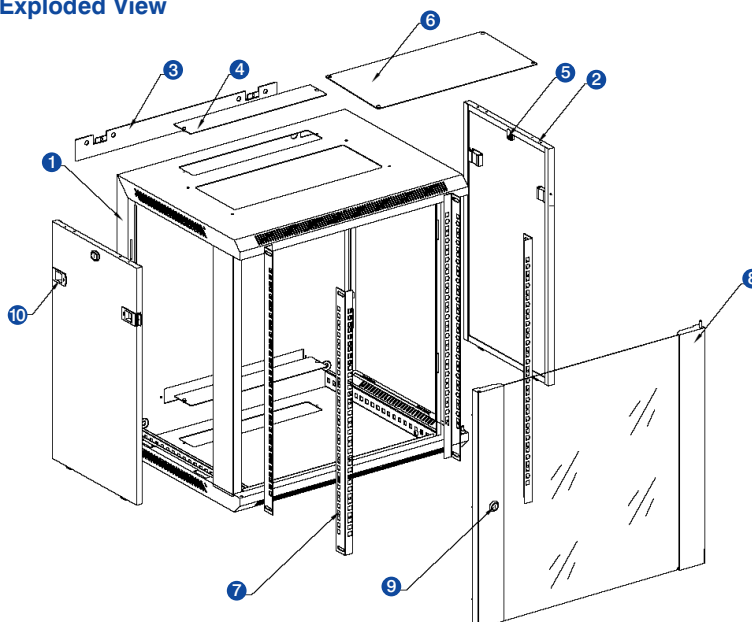
### Product Overview

The Excel 500 series is a range of 19" 500mm wall mount enclosures designed for installation of both cabling and equipment, and is ideal for use across a range of applications including local area networking (LAN) cabling and hardware, and the housing of security and audio and visual equipment.

Each cabinet is designed with strength, ease of use and aesthetics in mind. Features such as quick release doors and side panels, fully adjustable front and rear profiles and above average access through the either the top or base of the cabinet make the product extremely flexible and easy to install cables and equipment into.

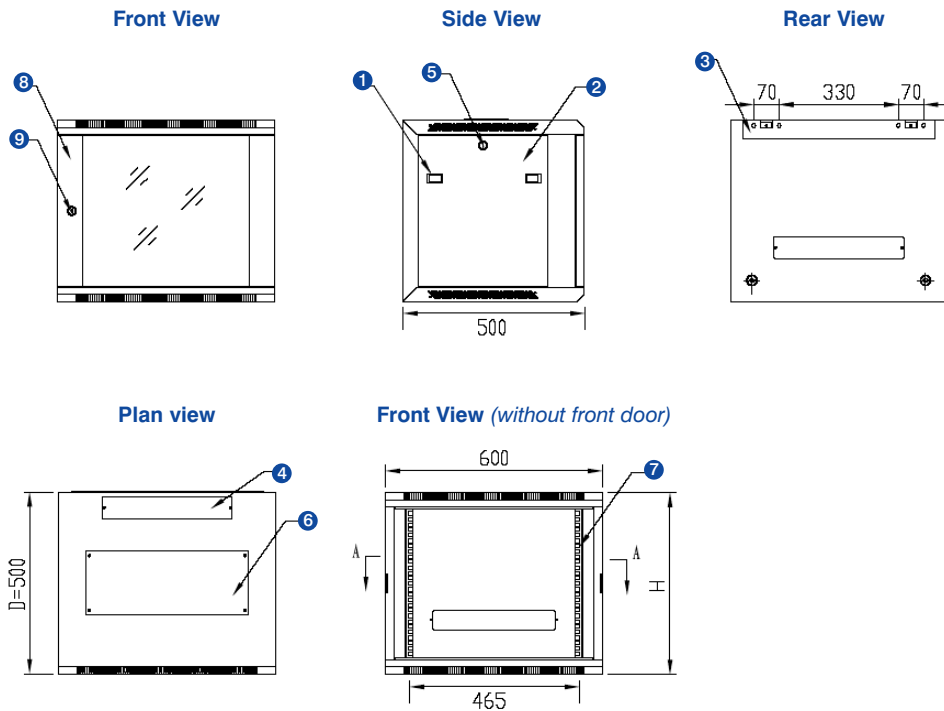
A full range of Excel accessories are available to complete cable or equipment installation from shelving through to ventilation and power distribution units.

### Exploded View



- 1 Frame
- 2 Side panel
- 3 Mounting panel
- 4 Cable entry cover, removable
- 5 Side key lock
- 6 Fan cover, removable
- 7 Mounting profile
- 8 Front door
- 9 Front door key lock
- 10 Slam latch lock

## Sectional Views



- ① Slam latch lock
- ② Side panel
- ③ Mounting panel
- ④ Cable entry cover, removeable
- ⑤ Side key lock
- ⑥ Fan cover, removeable
- ⑦ Mounting profile
- ⑧ Front door
- ⑨ Front door key lock

All dimensions are shown in mm

## Product Specification

### Material Thickness

Cabinet Part	
Frame	1.20mm
Top cover and fan entry plate	1.20mm
19" mounting angles	1.50mm
Side panels	1.20mm
Front door frame	1.20mm
Front door glass	5.00mm

### Product Standard Compliance

Manufacturing facility	ISO 9001:2000
19" mounting angles	IEC297-1
Overall cabinet dimensions	IEC297-2
Load carrying capacity	60kg
Paint finish, grey cabinet	Ral 7044
Paint finish, black cabinet	Ral 9004
Paint finish, front door blue trim	Ral 5013
Glass door, safety specification	BS3193:1993
Surface treatment	Fosfat Coating

## Product Features



- Aesthetically pleasing design with framed glass front door



- Lockable, quick release side panels, for maximum access into cabinet



- Cable entry cut out in top and base



- Angled vented roof



- Adjustable 19" mounting profiles

## Part Number Information

U Size	Width (mm)	Overall Height (mm)	Depth (mm)	Part Number - Grey	Part Number - Black
<b>390 Series</b>					
<b>6u</b>	600	368	500	WB6.5SG	WB6.5SGB
<b>9u</b>	600	501	500	WB9.5SG	WB9.5SGB
<b>12u</b>	600	635	500	WB12.5SG	WB12.5SGB
<b>15u</b>	600	769	500	WB15.5SG	WB15.5SGB
<b>18u</b>	600	901	500	WB18.5SG	WB18.5SGB
<b>21u</b>	600	1037	500	WB21.5SG	WB21.5SGB

The Excel series of wall mount cabinets are also available in 390mm depths. We also supply a broad range of floor standing cabinets.